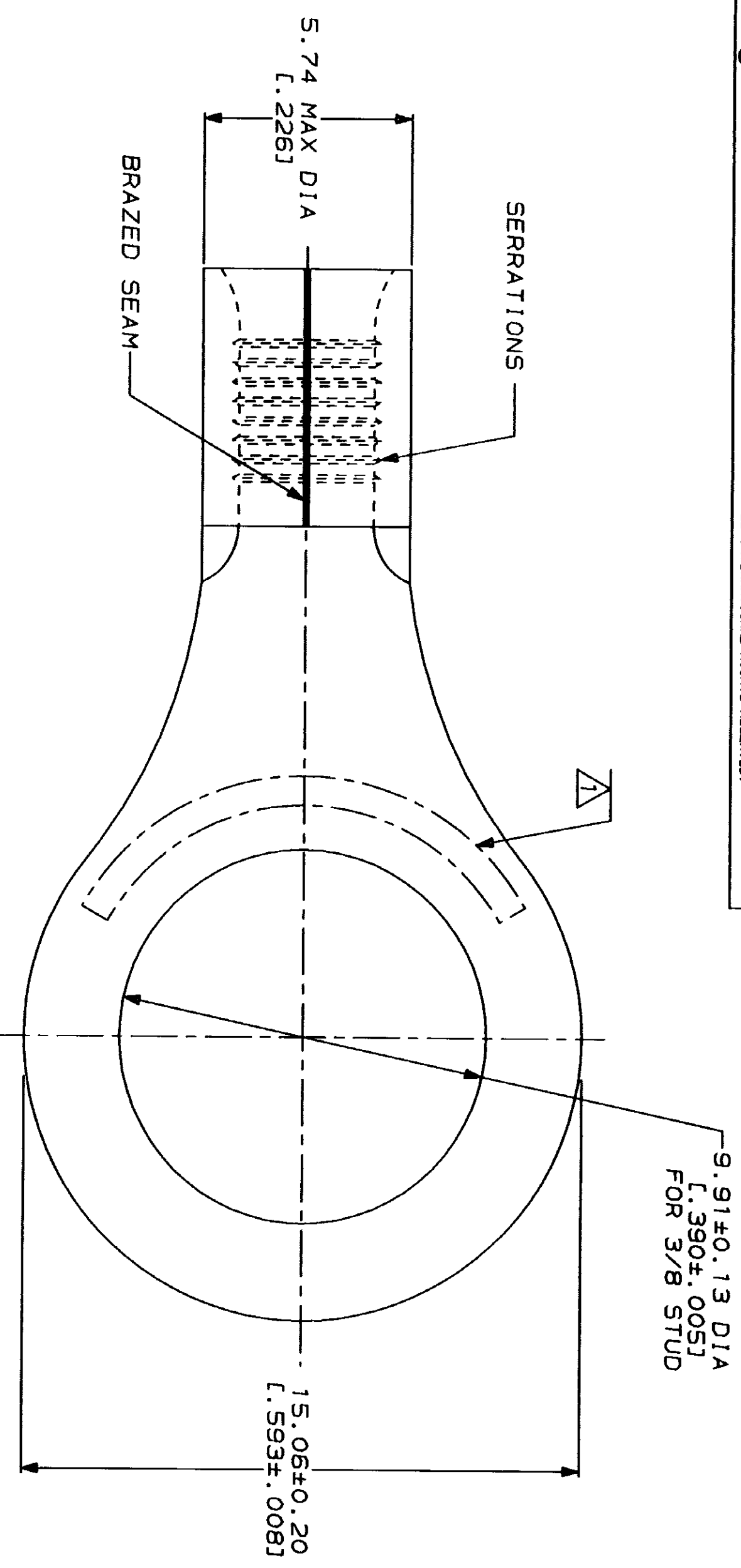
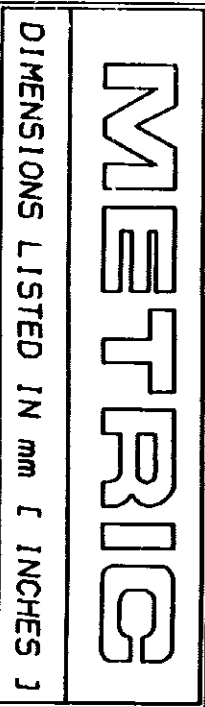
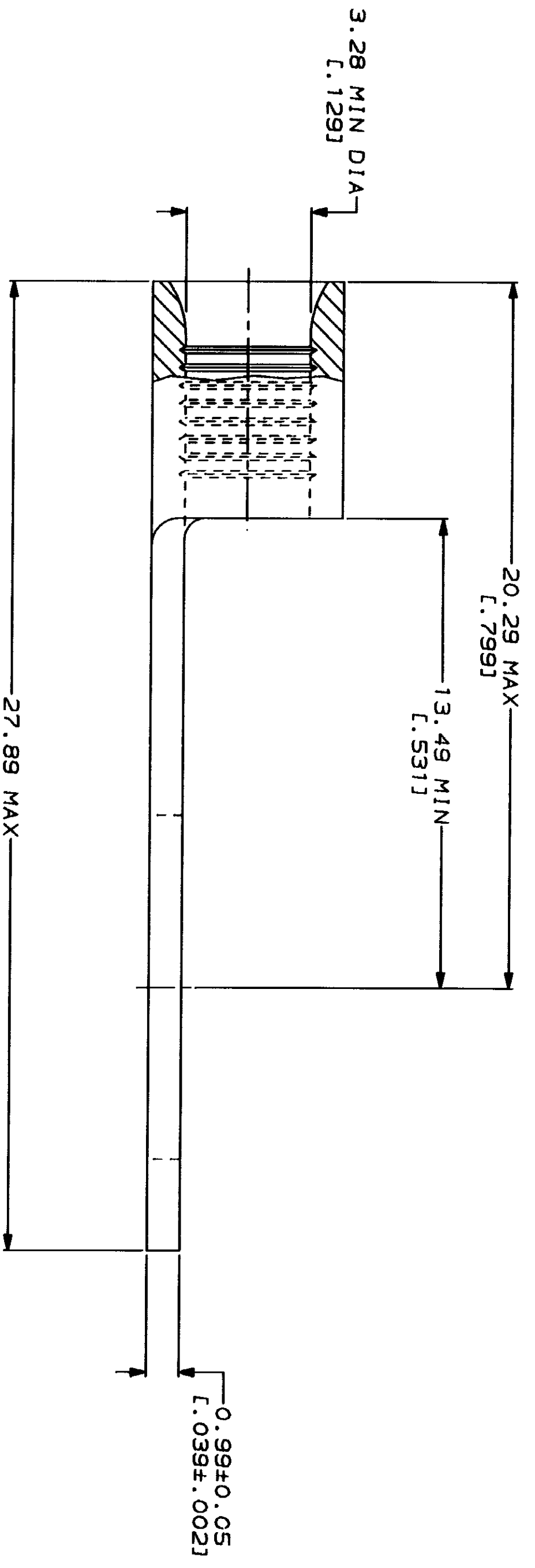


LOC	DIST	REV	ZONE	LTR	DESCRIPTION	DATE	APPD
G	14			H	REVISED PER 0720-0020-94	2/10/94	DAP



△ STAMP AMP 12-10* APPROX AS SHOWN

AMP		UL E13288 Listed	
WIRE RANGE	12-10 AWG SOLID OR STRANDED	12-10 AWG STRANDED	
LR7189 Certified		MILITARY P/N AND CLASS	
12-10 AWG SOLID OR STRANDED		MS20659-128 CLASS 1 & 2 P/N 33220 ONLY	



AMP INCORPORATED
 CUSTOMER SERVICE SYSTEMS

FOR ADDITIONAL PRODUCT INFORMATION OR COPIES OF DRAWINGS AND TECHNICAL DOCUMENTS
 FOR APPLICATION TOOLS INFORMATION
 FOR ORDER ENTRY

MAX RECOMMENDED OPERATING TEMPERATURE: 170°C MAX
 VOLTAGE RATING: NOT APPLICABLE
 WIRE CROSS SECTIONAL AREA RANGE: 2.62-6.64mm² (5,180-13,100) CIR MILS SOLID OR STRANDED

DO NOT SCALE PRINT. UNLESS SPECIFIED DIMENSIONS IN mm (INCHES) TOLERANCES ON: 1 PLG DEC ± .1 ANGLES 2 PLG DEC ± .1 MATERIAL COPPER PER ASTM B-152 ANNEALED

FINISH TIN PLATE
 0.00254 [L.000100] MIN THK PER MIL-T-10727

DR 3-17-93 TA BRINKMAN
 CHK 3-17-93 DA PATTERSON
 APPD 3-17-93 DE MILLER
 APPD 3-17-93 JL HECKLEY

AMP Incorporated
 Harrisburg, PA 17105-3608

QTY	PACKAGE TYPE	PART NO
50	LOOSE PIECE, SPCL BOX	8-33220-5
50	LOOSE PIECE, BOX	8-33220-2
1000	TAPE MOUNTED	1-33220-2
-	-	33220

TERMINAL, RING TONGUE,
 SOLISTRAND™

SIZE CAGE CODE DRAWING NO
 00779 33220
 SCALE 8:1 SHEET 1 OF 1